

GCL-P2/72

HIGH EFFICIENCY
MULTICRYSTALLINE MODULE

GCL-P2/72 335-350 Watt

350^W

MAXIMUM POWER OUTPUT

17.3%

MAXIMUM MODULE EFFICIENCY

0~+5^W

POWER OUTPUT GUARANTEE

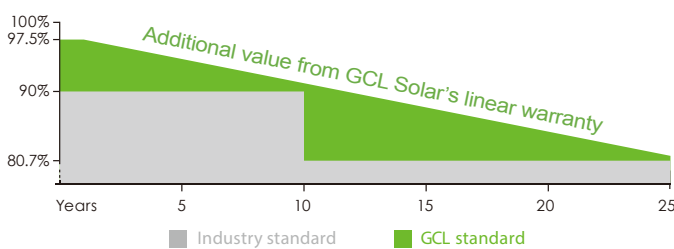
Trust GCL to Deliver Reliable Performance Over Time

- World-class manufacturer of crystalline silicon photovoltaic modules
- Fully automatic facility and world-class technology
- Rigorous quality control to meet the highest standard: ISO9001:2008, ISO 14001: 2004 and OHSAS: 18001 2007
- Tested for harsh environments (salt mist, ammonia corrosion and sand blowing test: IEC 61701, IEC 62716, DIN EN 60068-2-68)
- Long term reliability tests
- 2*100% EL inspection ensuring defect-free modules

LINEAR PERFORMANCE WARRANTY

10 YEARS PRODUCT WARRANTY

25 LINEAR POWER WARRANTY



Unique cell cutting and inter-connecting process, increases light absorption area and decreases module internal power loss



Ideal choice for large scale ground installation



PID and snail trails free



Excellent performance under low irradiance



Highly resistant to sand, acid, and alkali



Additional yield from high transparent self-cleaning glass

Additional insurance backed by Swiss RE



Bringing Green Power to Life

GCL-P2/72

HIGH EFFICIENCY MULTICRYSTALLINE MODULE

ELECTRICAL SPECIFICATION (STC)

Peak Power Watts	P _m (W)	335	340	345	350
Power Output Tolerance	P _m (W)	0~+5			
Maximum Power Voltage	V _m (V)	35.0	35.2	35.4	35.6
Maximum Power Current	I _m (A)	9.57	9.66	9.75	9.83
Open Circuit Voltage	V _{oc} (V)	42.6	42.8	43.0	43.2
Short Circuit Current	I _{sc} (A)	10.09	10.19	10.29	10.39
Module Efficiency	(%)	16.5	16.8	17.0	17.3

Values at Standard Test Conditions STC (Air Mass AM1.5, Irradiance 1000W/m², Cell Temperature 25° C).

ELECTRICAL DATA (NOCT)

Maximum Power	P _m (W)	243.4	247.2	251.4	254.4
Power Output Tolerance	P _m (W)	0~+5			
Maximum Power Voltage	V _m (V)	31.8	32.0	32.2	32.4
Maximum Power Current	I _m (A)	7.64	7.72	7.78	7.85
Open Circuit Voltage	V _{oc} (V)	39.0	39.2	39.4	39.6
Short Circuit Current	I _{sc} (A)	8.05	8.14	8.21	8.29

NOCT: Irradiance at 800W/m², Ambient Temperature 20° C, Wind Speed 1m/s.

MECHANICAL DATA

Solar Cells	Poly 31.2x156mm (6 inches)
Cell Orientation	408Cells (34x12)
Module Dimensions	1936x1048x40mm
Weight	28.5KG
Glass	High transparency solar glass 4mm (0.15 inches)
Backsheet	White
Frame	Silver, anodized aluminium alloy
J-Box	IP67 Rated
Cables	4.0mm ² (0.006 inches ²), 1200mm (47.2inches)
Connector	Original MC4 or Compatible

TEMPERATURE RATINGS

Nominal Operating Cell Temperature (NOCT)	45±2°C
Temperature Coefficient of P _{MAX}	-0.43% /°C
Temperature Coefficient of V _{oc}	-0.35% /°C
Temperature Coefficient of I _{sc}	0.04% /°C

MAXIMUM RATINGS

Operational Temperature	-40~+85°C
Maximum System Voltage	1000V DC(IEC)
Max Series Fuse Rating	15A

WARRANTY

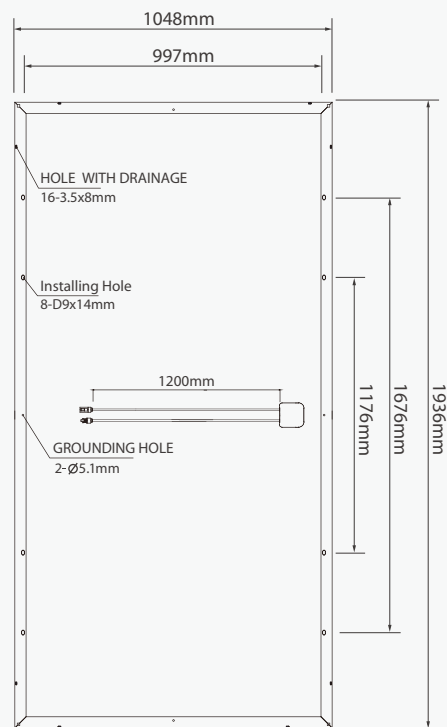
10 years Product Workmanship Warranty
25 years linear Power Warranty

(Please refer to GCL standard warranty for details)

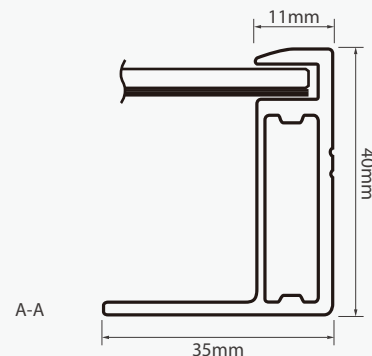
PACKAGING CONFIGURATION

Modules per box: 26 pieces
Modules per 40' container: 624 pieces

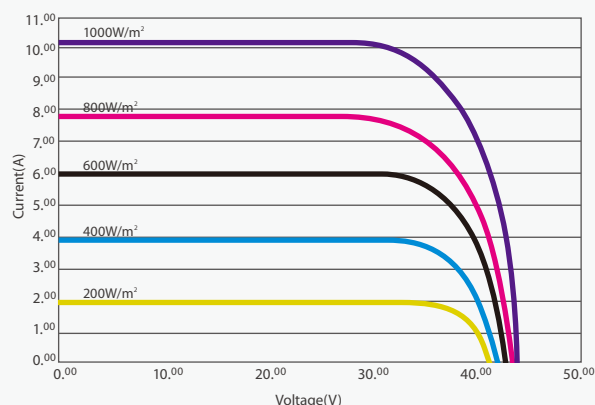
MODULE DIMENSION



Back View



I-V CURVES OF MODULE (345W)



Excellent performance under weak light conditions: at an irradiance intensity of 200W/m² W/m(AM 1.5, 25° C), 96.5% or higher of the STC efficiency(1000 W/m²) is achieved



Bringing Green Power to Life
<http://en.gclsi.com>

GCL-EN-P2/72-2016-V1.0

CAUTION: READ INSTALLATION MANUAL BEFORE USING THE PRODUCT

©2015 GCL System Intergration Technology Co., Ltd. All rights reserved. Specifications included in this datasheet are subject to change without notice.