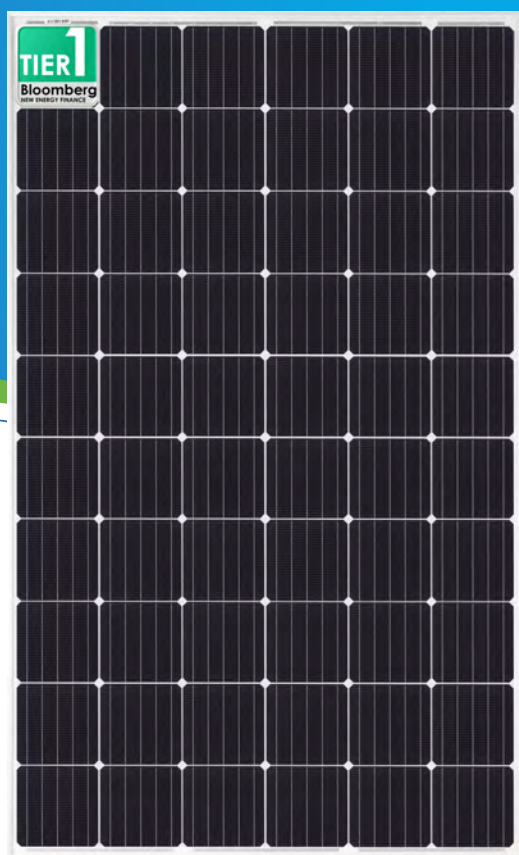


GCL-M6/60Fxxx

HIGH EFFICIENCY
MONOCRYSTALLINE MODULE

GCL-M6/60H 285-300 Watt



300^W ($\pm 3\%$)
MAXIMUM POWER OUTPUT

18.4%
MAXIMUM MODULE EFFICIENCY

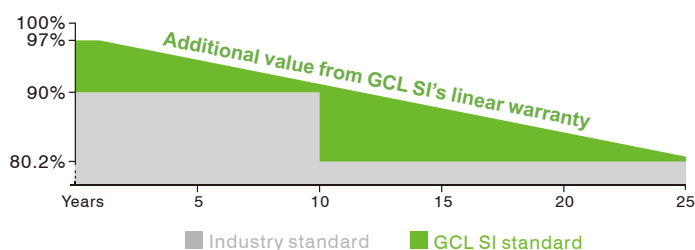
0~+5^W
POWER OUTPUT GUARANTEE

Trust GCL to Deliver Reliable Performance Over Time

- World-class manufacturer of crystalline silicon photovoltaic modules
- Fully automatic facility and world-class technology
- Rigorous quality control to meet the highest standard:
ISO9001:2008, ISO 14001: 2004 and OHSAS: 18001 2007
- Tested for harsh environments (salt mist, ammonia corrosion and sand blowing test: IEC 61701, IEC 62716, DIN EN 60068-2- 68)
- Long term reliability tests
- 2*100% EL inspection ensuring defect-free modules

LINEAR PERFORMANCE WARRANTY

10 Years Product Warranty 25 Years Linear Power Warranty



High conversion efficiency due to top quality wafer and advanced cell technology



Selected encapsulating material and stringent production process control ensure product highly PID resistant and snail trails free



Passed sand blowing test, salt mist test and ammonia test; flexible for harsh environments



Special cell process ensures great performance in low irradiance environment



Optimized system performance by module level current sorting



High transparent self-cleaning tempered glass increases module power output and ensures easy maintenance

Additional insurance backed by Swiss RE



Bringing Green Power to Life

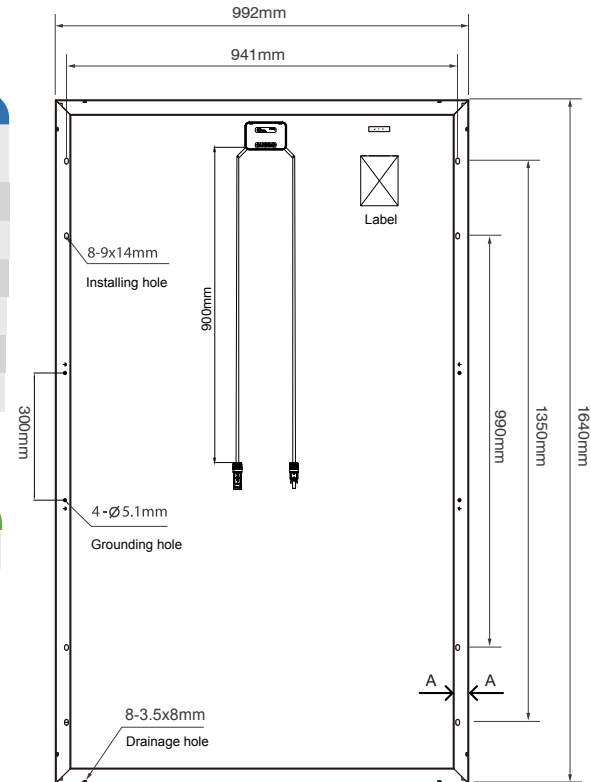
Factory: Zhangjiagang GCL System Integration Technology Co.,Ltd.

Address: 288# Chenfeng Road, Yangshe Town, Zhangjiagang City, 215600 Jiangsu Province, P. R. China

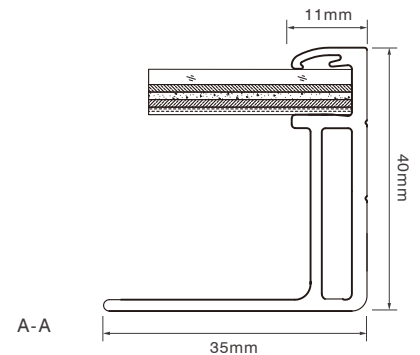
GCL-M6/60Hxxx

HIGH EFFICIENCY MONOCRYSTALLINE MODULE

MODULE DIMENSION



Back View



A-A

ELECTRICAL SPECIFICATION (STC)

TYPE (STC)	GCL-M6/60H 270	GCL-M6/60H 275	GCL-M6/60H 280	GCL-M6/60H 285	GCL-M6/60H 290	GCL-M6/60H 295	GCL-M6/60H 300
Maximum Power P_{max} (W)	270(±3%)	275(±3%)	280(±3%)	285(±3%)	290(±3%)	295(±3%)	300(±3%)
Maximum Power Voltage V_m (V)	31.2	31.4	31.6	31.8	32.0	32.2	32.4
Maximum Power Current I_m (A)	8.65	8.76	8.86	8.96	9.06	9.16	9.26
Open Circuit Voltage V_{oc} (V)	38.3(±3%)	38.5(±3%)	38.7(±3%)	38.9(±3%)	39.1(±3%)	39.3(±3%)	39.5(±3%)
Short Circuit Current I_{sc} (A)	9.29(±4%)	9.38(±4%)	9.46(±4%)	9.54(±4%)	9.63(±4%)	9.69(±4%)	9.78(±4%)
Module Efficiency (%)	16.6	16.9	17.2	17.5	17.8	18.1	18.4

Values at Standard Test Conditions STC (Air Mass AM1.5, Irradiance 1000W/m², Cell Temperature 25°C).

ELECTRICAL DATA (NOCT)

Maximum Power P_{max} (W)	199.91	203.33	207.48	210.96	214.76	218.00	221.86
Maximum Power Voltage V_m (V)	28.6	28.8	29.1	29.3	29.5	29.7	29.9
Maximum Power Current I_m (A)	6.99	7.06	7.13	7.20	7.28	7.34	7.42
Open Circuit Voltage V_{oc} (V)	35.4	35.6	35.8	36.0	36.2	36.3	36.5
Short Circuit Current I_{sc} (A)	7.51	7.58	7.65	7.71	7.78	7.83	7.91

NOCT: Irradiance at 800W/m², Ambient Temperature 20°C, Wind Speed 1m/s.

MECHANICAL DATA

Solar Cells	Mono 156.75x156.75mm (6 inches)
Cell Orientation	60 Cells (6x10)
Module Dimensions	1640x992x40mm (64.56 x 39.05 x 1.57 inches)
Weight	18.5kg
Glass	High transparency solar glass 3.2mm (0.13 inches)
Backsheet	White
Frame	Silver, anodized aluminium alloy
J-Box	IP68 Rated
Cables	4.0mm ² (0.006 inches ²), 900mm (35.4 inches)
Connector	QC4.10-ab(a=1 or 2,b=2 or 3)
Static mechanical load	Design load: 3600Pa (downward) / 1600Pa (upward). $\gamma_m=1.5$

TEMPERATURE RATINGS

Nominal Operating Cell Temperature (NOCT)	45 ± 2°C
Temperature Coefficient of P_{MAX}	-0.41%/°C
Temperature Coefficient of V_{oc}	-0.31%/°C
Temperature Coefficient of I_{sc}	+0.055%/°C

MAXIMUM RATINGS

Operational Temperature	-40 ~ +85°C
Maximum System Voltage	1500V DC(IEC)
Max Series Fuse Rating	15A

WARRANTY

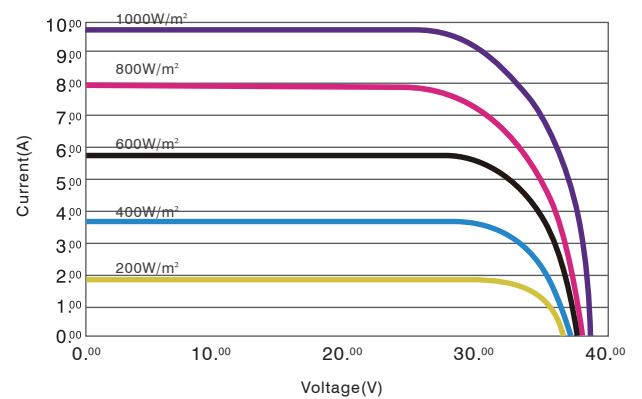
- 10 years Product Workmanship Warranty
- 25 years Linear Power Warranty

(Please refer to GCL standard warranty for details)

PACKAGING CONFIGURATION

- Modules per box: 30 pieces
- Modules per 40'HD container: 840 pieces

I-V CURVES OF MODULE(290W)



Excellent performance under weak light conditions: at an irradiance intensity of 200W/m² W/m(AM 1.5, 25 °C), 96.5% or higher of the STC efficiency (1000 W/m²) is achieved



Bringing Green Power to Life
<http://en.gclsi.com>

GCL-EN-M6/60H-2017-V3.1
 CAUTION: READ INSTALLATION MANUAL BEFORE USING THE PRODUCT
 ©2016 GCL System Intergration Technology Co., Ltd. All rights reserved. Specifications included in this datasheet are subject to change without notice.